

ADDRESSABLE CONSTELLATION MODULE

SPECIFICATION

PROJECT	DATE
TYPE	QTY



EpiXsky's **ADDRESSABLE CONSTELLATION MODULE** creates beautiful twinkling constellations for your star ceiling and is most effective with multiple modules that can be controlled individually to go off randomly, timed or manually.

The addressable constellation module is programmable by dip switch settings, however RS-232 controllers are recommended for more options. (third party such as Centro or Control 4 are compatible with our epix system.)

We suggest using our WiFi Interface & downloading our free EPIX app to control your constellation and other EpiX star module features from the app store.

KEY FEATURES:

- 12 VDC Power
- Fiber Port (supports 256 fibers)
- 7 Programs*
- RS-232 Serial Controllable
- Stand Alone Mode – Dip Switch Program
- Optional EpiX WiFi required w/ 3rd Party Control
- Remote Momentary Switch Ready (*Sold Separately*)

** Refer to module control reference sheet*

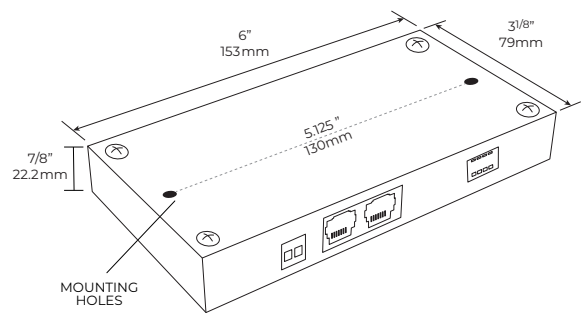
Build your perfect universe by adding multiple shooting stars, fireworks and meteor showers

BENEFITS:

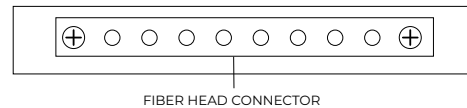
- Digital Electronics
- Compact Design
- Quiet Operation (no fan)
- No Moving Parts!
- Long Life LED's
- Low Wattage



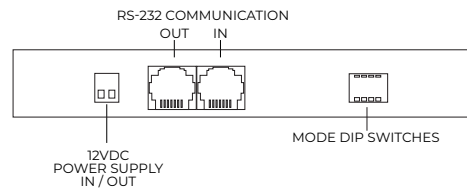
TECHNICAL INFO:



FRONT



BACK



ORDERING

MODEL	RS-232 CABLE LENGTH	POWER	FIBER HEAD
ASCM			
Addressable Constellation Module w/4 built in Programs	10 - 10ft	N - none	1.6 - 1' 6"
	35 - 35ft	20 - 20W	3.6 - 3' 6"
		40 - 40W	5.6 - 5' 6"
		60 - 60W	10 - 10'
		100 - 100W	
		150 - 150W	
	320 - 320W		

See Length Guide for application requirement (page 2)

See Power requirements (page 2)

ADD-ONS



- WiFi** - WiFi Interface (*required for 3rd party control*)(*link required w/ WiFi*)
- LINK** - Communicator for Wifi Interface (*required for 3rd party control*)
- ADSR** - Addressor (*for multi-room control*)
- RGB Mini** - RGB Mini (*for rgb ambient cove lighting*)
- ADVP** - Advanced-pro (*for rgbw cove lighting and advanced control*)
- DISTBD**- Distribution Board (*streamlines RS-232 communication*)
- RMS** - Remote Momentary Switch (*for simple on/off*)
- DB** - Drill Bits (*2 pack*)
- FG** - Fiber Glue (*adheres fibers to surface*)

V.0324 Copyright © 2024, Impact Lighting Inc. All Rights Reserved



A Division of Impact Lighting Inc.



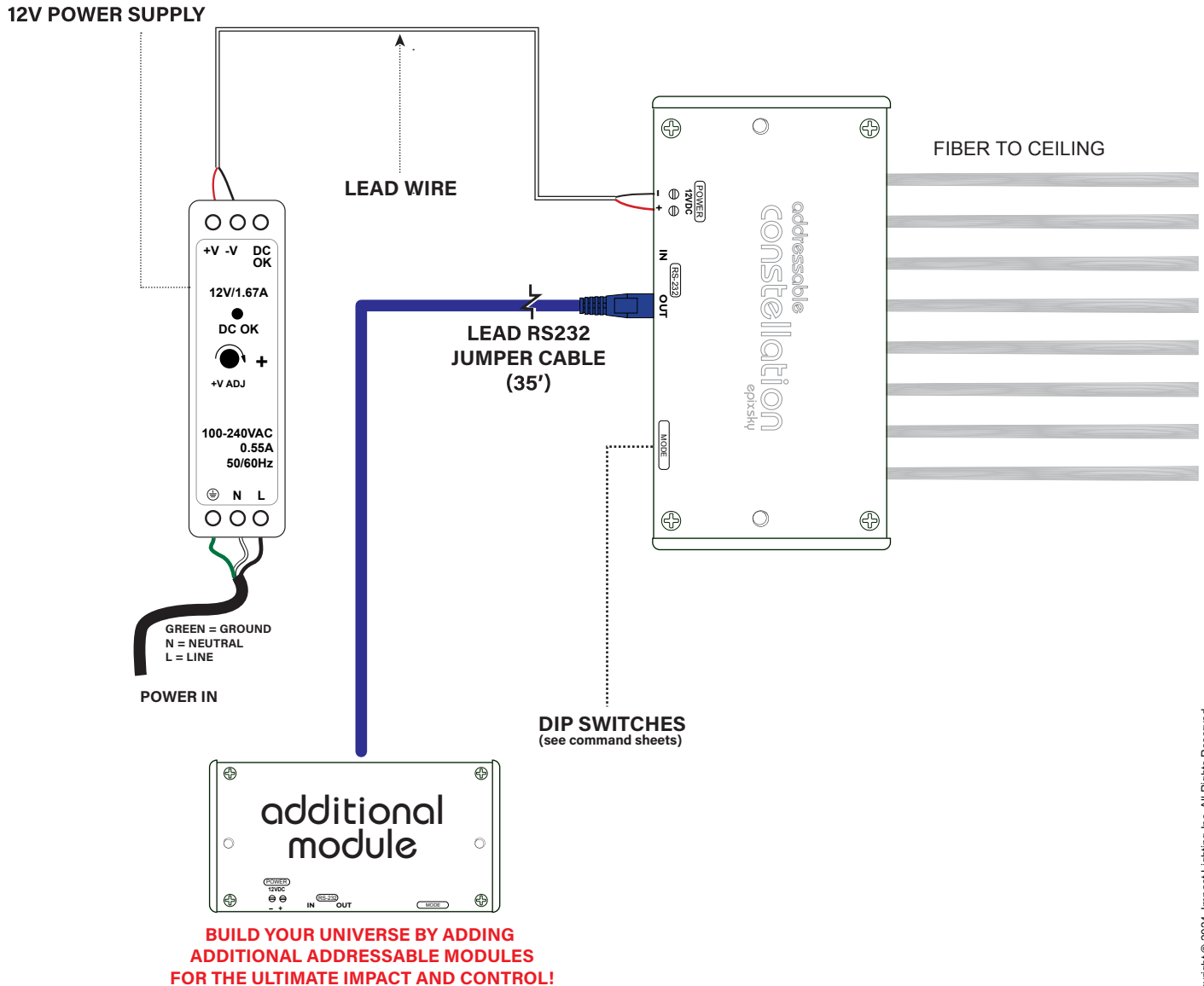
2814 Silver Star Rd., Orlando, Florida 32808 • Ph. 1-800-507-5714 • Email: sales@epixsky.com

epixsky.com

ADDRESSABLE CONSTELLATION MODULE

STAND ALONE USE

WIRING DIAGRAM



V0324 Copyright © 2024, Impact Lighting Inc. All Rights Reserved

CONSTELLATION FIBER LENGTH CHART	
2'x2' Panel / Area	1.6"
2'x4' Panel / Area	3'6"
4'x4' Panel / Area	5'6"
4'x8' Panel / Area	10'

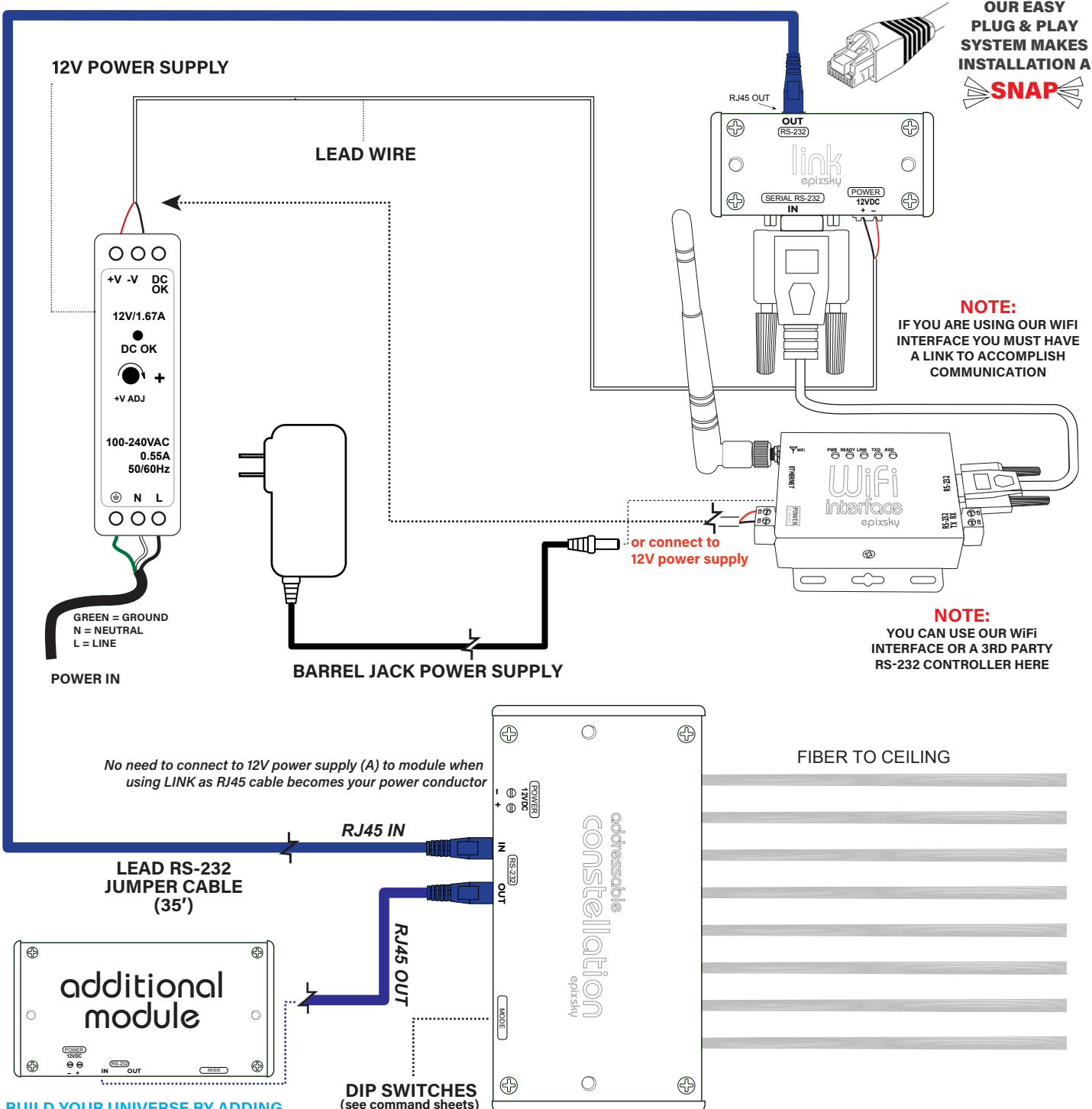
POWER SUPPLY CHART	
20W	5-6 modules
40W	12-13 modules
60W	19 modules
100W	32-33 modules
150W	105-106 modules

Every 13th module will need a power boost. Use another lead wire and connect from your power supply to the power input on your module.

ADDRESSABLE CONSTELLATION MODULE

WIRING DIAGRAM

THIRD PARTY CONTROL



OUR EASY
PLUG & PLAY
SYSTEM MAKES
INSTALLATION A
SNAP

NOTE:
IF YOU ARE USING OUR WIFI
INTERFACE YOU MUST HAVE
A LINK TO ACCOMPLISH
COMMUNICATION

NOTE:
YOU CAN USE OUR WIFI
INTERFACE OR A 3RD PARTY
RS-232 CONTROLLER HERE

**BUILD YOUR UNIVERSE BY ADDING
ADDITIONAL ADDRESSABLE MODULES
FOR THE ULTIMATE IMPACT AND CONTROL!**

NOTE:
SEE COMMAND SHEET FOR DIP SWITCH
SETTINGS TO GET YOUR DESIRED
EFFECT AND CORRECT SETTINGS FOR
3RD PARTY CONTROL OPTIONS.

GOOD TO KNOW!
YOU CAN ADD AND DAISY CHAIN UP TO
10 MODULES USING THE SAME 25W
POWER SUPPLY. MORE THAN 18 AND
YOU WILL NEED A LARGER POWER
SUPPLY (SEE PAGE #?)