

ADDRESSABLE FIREWORK MODULE

SPECIFICATION

| | |
|---------|------|
| PROJECT | DATE |
| TYPE | QTY |



EpiXsky's **ADDRESSABLE FIREWORK MODULE** creates an exciting addition to your star ceiling and is most effective with multiple modules that can be controlled individually to go off randomly, timed or manually.

The addressable firework module is programmable by dip switch settings, however RS-232 controllers are recommended for more options. (third party such as Centro or Control 4 are compatible with our epix system.)

We suggest using our WiFi Interface & downloading our free EPIX app to control your fireworks and other EpiX star module features from the app store.

KEY FEATURES:

- 12 VDC Power
- Fiber Port (supports 256 fibers)
- Multiple Programs*
- RS-232 Serial Controllable
- Stand Alone Mode – Dip Switch Program
- Optional EpiX WiFi required w/ 3rd Party Control
- Remote Momentary Switch Ready (*Sold Separately*)

* Refer to module control reference sheet

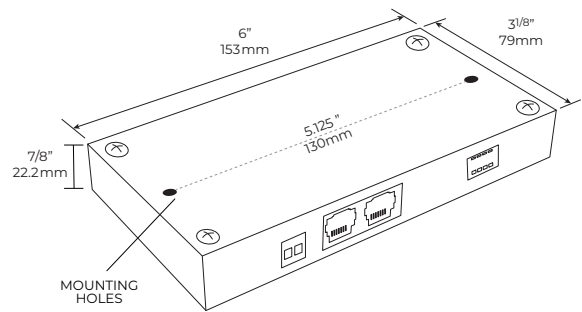
Build your perfect universe by adding multiple fireworks, shooting stars, constellations and meteor showers!

BENEFITS:

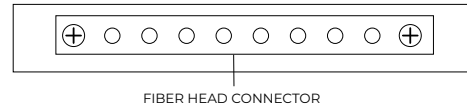
- Digital Electronics
- Compact Design
- Quiet Operation (no fan)
- No Moving Parts!
- Long Life LED's
- Low Wattage



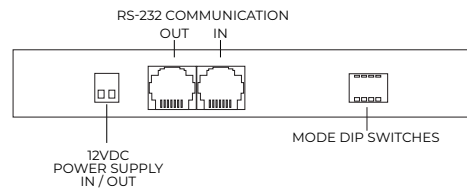
TECHNICAL INFO:



FRONT



BACK



ORDERING

| MODEL | RS-232 CABLE LENGTH | POWER | FIBER HEAD |
|--|---------------------|------------|-------------|
| AFWM | | | |
| Addressable Firework Module w/4 built in Programs | 10 - 10ft | N - none | FIREWORK |
| | 35 - 35ft | 20 - 20W | 1.6 - 1' 6" |
| | | 40 - 40W | 3.6 - 3' 6" |
| | | 60 - 60W | 5.6 - 5' 6" |
| | | 100 - 100W | 10 - 10' |
| | | 150 - 150W | |
| | | 320 - 320W | |

See Power requirements (page 2)

See Length Guide for application requirement (page 2)

ADD-ONS



- WiFi** - WiFi Interface (*required for 3rd party control*)(link required w/ WiFi)
- LINK** - Communicator for Wifi Interface (*required for 3rd party control*)
- ADSR** - Addressor (*for multi-room control*)
- RGB Mini** - RGB Mini (*for rgb ambient cove lighting*)
- ADVP** - Advanced-pro (*for rgbw cove lighting and advanced control*)
- DISTBD**- Distribution Board (*streamlines RS-232 communication*)
- RMS** - Remote Momentary Switch (*for simple on/off*)
- DB** - Drill Bits (*2 pack*)
- FG** - Fiber Glue (*adheres fibers to surface*)

V0324 Copyright © 2024, Impact Lighting Inc. All Rights Reserved



A Division of Impact Lighting Inc.



2814 Silver Star Rd., Orlando, Florida 32808 • Ph. 1-800-507-5714 • Email: sales@epixsky.com

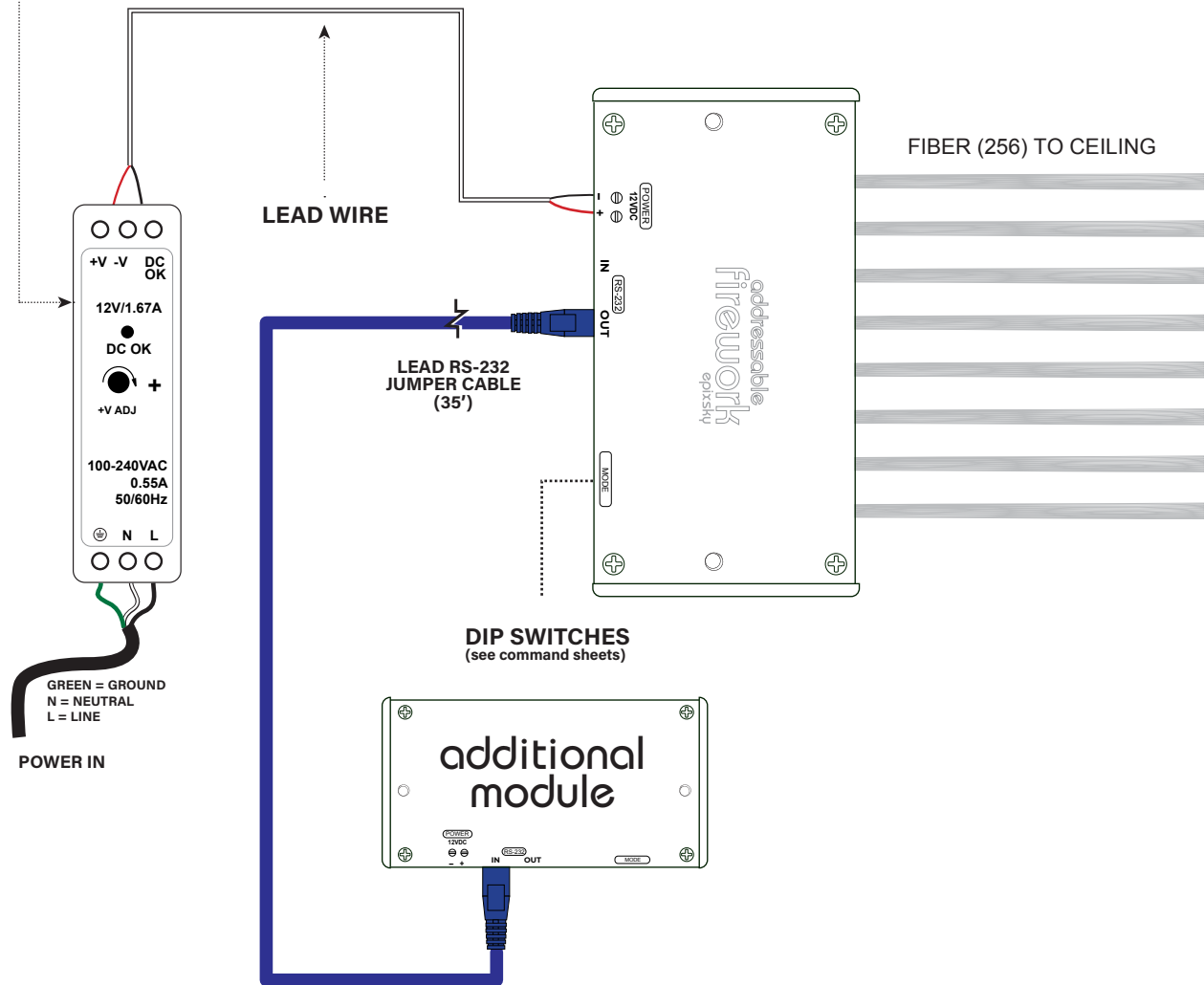
epixsky.com

ADDRESSABLE FIREWORK MODULE

STAND ALONE USE

WIRING DIAGRAM

12V POWER SUPPLY



FIREWORK FIBER LENGTH CHART

| | |
|--------------------|------|
| 2'x2' Panel / Area | 1.6" |
| 2'x4' Panel / Area | 3'6" |
| 4'x4' Panel / Area | 5'6" |
| 4'x8' Panel / Area | 10' |

POWER SUPPLY CHART

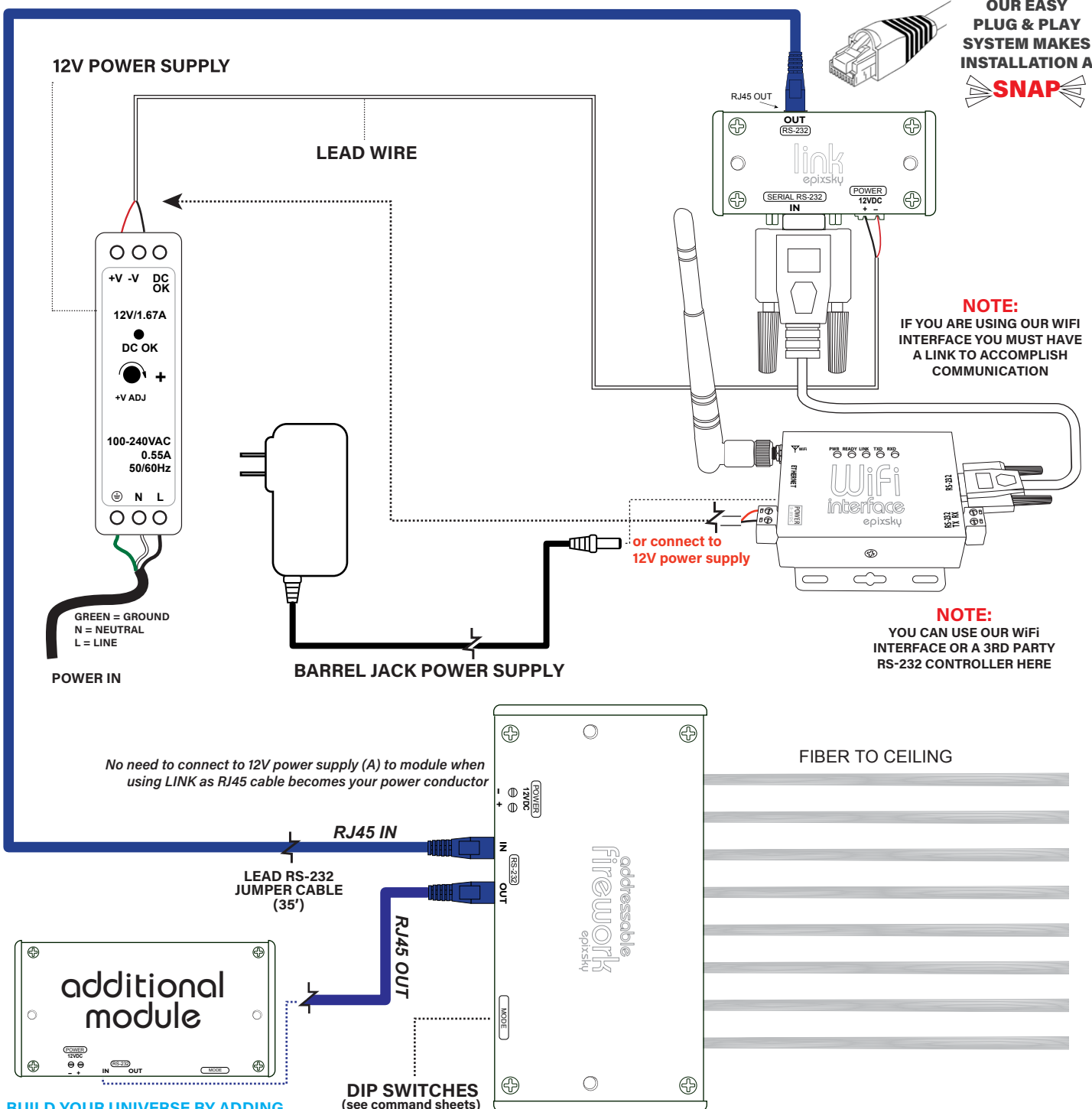
| | |
|------|-----------------|
| 20W | 5-6 modules |
| 40W | 12-13 modules |
| 60W | 19 modules |
| 100W | 32-33 modules |
| 150W | 105-106 modules |

Every 13th module will need a power boost.
Use another lead wire and connect from your power supply to the power input on your module.

ADDRESSABLE FIREWORK MODULE

WIRING DIAGRAM

THIRD PARTY CONTROL



OUR EASY
PLUG & PLAY
SYSTEM MAKES
INSTALLATION A
SNAP

NOTE:
IF YOU ARE USING OUR WIFI
INTERFACE YOU MUST HAVE
A LINK TO ACCOMPLISH
COMMUNICATION

NOTE:
YOU CAN USE OUR WIFI
INTERFACE OR A 3RD PARTY
RS-232 CONTROLLER HERE

No need to connect to 12V power supply (A) to module when using LINK as RJ45 cable becomes your power conductor

**BUILD YOUR UNIVERSE BY ADDING
ADDITIONAL ADDRESSABLE MODULES
FOR THE ULTIMATE IMPACT AND CONTROL!**

NOTE:
SEE COMMAND SHEET FOR DIP SWITCH
SETTINGS TO GET YOUR DESIRED
EFFECT AND CORRECT SETTINGS FOR
3RD PARTY CONTROL OPTIONS.

GOOD TO KNOW!
YOU CAN ADD AND DAISY CHAIN UP TO
10 MODULES USING THE SAME 25W
POWER SUPPLY. MORE THAN 18 AND
YOU WILL NEED A LARGER POWER
SUPPLY (SEE PAGE 2)

epiXsky
A Division of Impact Lighting Inc.



2814 Silver Star Rd., Orlando, Florida 32808 • Ph. 1-800-507-5714 • Email: sales@epixsky.com

epixsky.com