



WIRING DIAGRAM STAR PANELS AND COVE LIGHTING



Up to 12 panels can be connected together in any configuration per lead wire. If your installation requires more than 12 panels, you will need an additional lead jumper wire and may need to add an additional Power Supply. Follow the diagram below for cove lighting configuration. See PAGE 1 Power Specifications.

CONFIGURATION WITH POWER ADAPTER

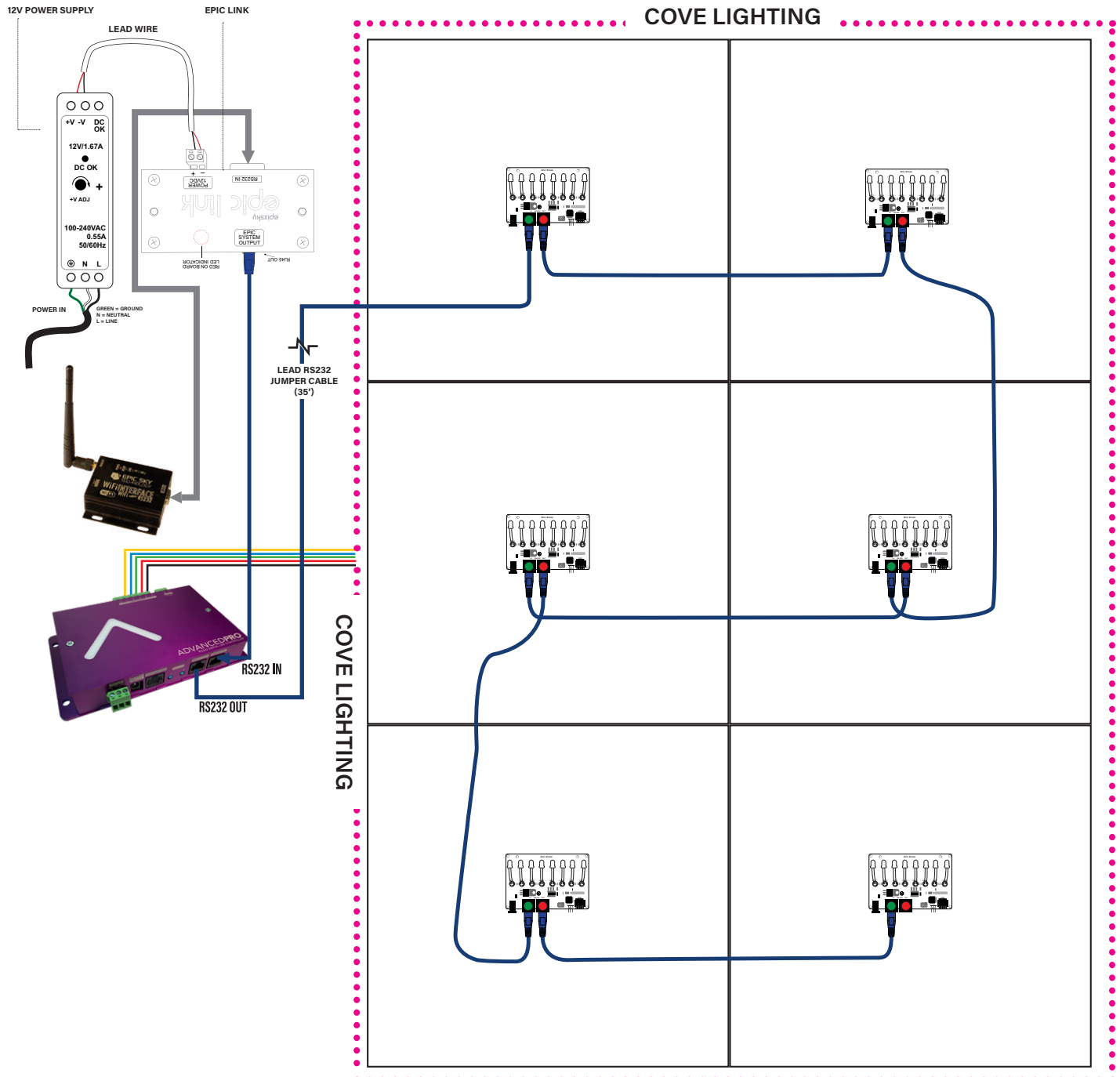


DIAGRAM ABOVE IS AN EXAMPLE WIRING DIAGRAM FOR A BASIC STAR PANEL CONFIGURATION WITH COVE LIGHTING. ELEMENTS SHOWN ARE NOT TO SCALE.



VERY IMPORTANT: Make sure your connections IN (GREEN) & OUT (RED) are correct from each star board to ensure proper power and communication. One wrong connection will disrupt communication to all panels following.