

TWILIGHT COLOR STAR MODULE

SPECIFICATION

PROJECT	DATE
TYPE	QTY



EpiXsky's **TWILIGHT COLOR STAR MODULE** is designed to be a star kit or a custom effect kit.

With this module you can create a simple colorful starfield and have the choice of iridescent, random, full or a single color starfield.

These are programmable by dip switch settings or RS-232 third party controllers such as Centro or Control 4.

If you don't already own a third party controller, we suggest downloading our free EPIX app from the app store for our custom programs to get the most out of your stars.

KEY FEATURES:

- 12 VDC Power
- Fiber Port (supports 256 fibers)
- 16 Programs*
- RS-232 Serial Controllable
- Stand Alone Mode – Dip Switch Program
- Optional EpiX WiFi required w/ 3rd Party Control
- Remote Momentary Switch Ready (*Sold Separately*)

* Refer to module control reference sheet

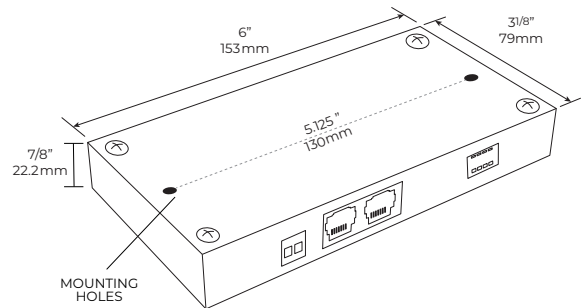
If you plan to have more than one effect, we suggest our addressable modules so you can control each effect separately.

BENEFITS:

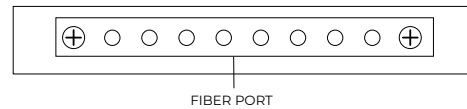
- Digital Electronics
- Compact Design
- Quiet Operation (no fan)
- No Moving Parts!
- Long Life LED's
- Low Wattage



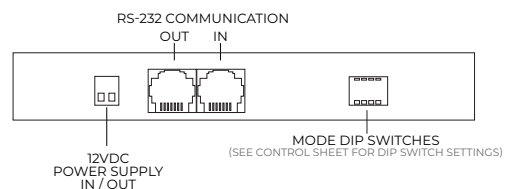
TECHNICAL INFO:



FRONT



BACK



ORDERING

MODEL	RS-232 CABLE LENGTH	POWER	FIBER HEAD
TCSM	-	-	-
Color Stars with 16 built in programs	10 - 10ft 35 - 35ft	N - none 20 - 20W 40 - 40W 60 - 60W 100 - 100W 150 - 150W 320 - 320W	STARS 1.6 - 1' 6" 3.6 - 3' 6" 5.6 - 5' 6" 10 - 10'

See Power requirements (page 2)

See Length Guide for application requirement (page 2)

ADD-ONS



- WiFi** - WiFi Interface (*required for 3rd party control*)(link required w/ WiFi)
- LINK** - Communicator for Wifi Interface (*required for 3rd party control*)
- ADSR** - Addressor (*for multi-room control*)
- RGB Mini** - RGB Mini (*for rgb ambient cove lighting*)
- ADVP** - Advanced-pro (*for rgbw cove lighting and advanced control*)
- DISTBD**- Distribution Board (*streamlines RS-232 communication*)
- RMS** - Remote Momentary Switch (*for simple on/off*)
- DB** - Drill Bits (*2 pack*)
- FG** - Fiber Glue (*adheres fibers to surface*)

V0324 Copyright © 2024, Impact Lighting Inc. All Rights Reserved



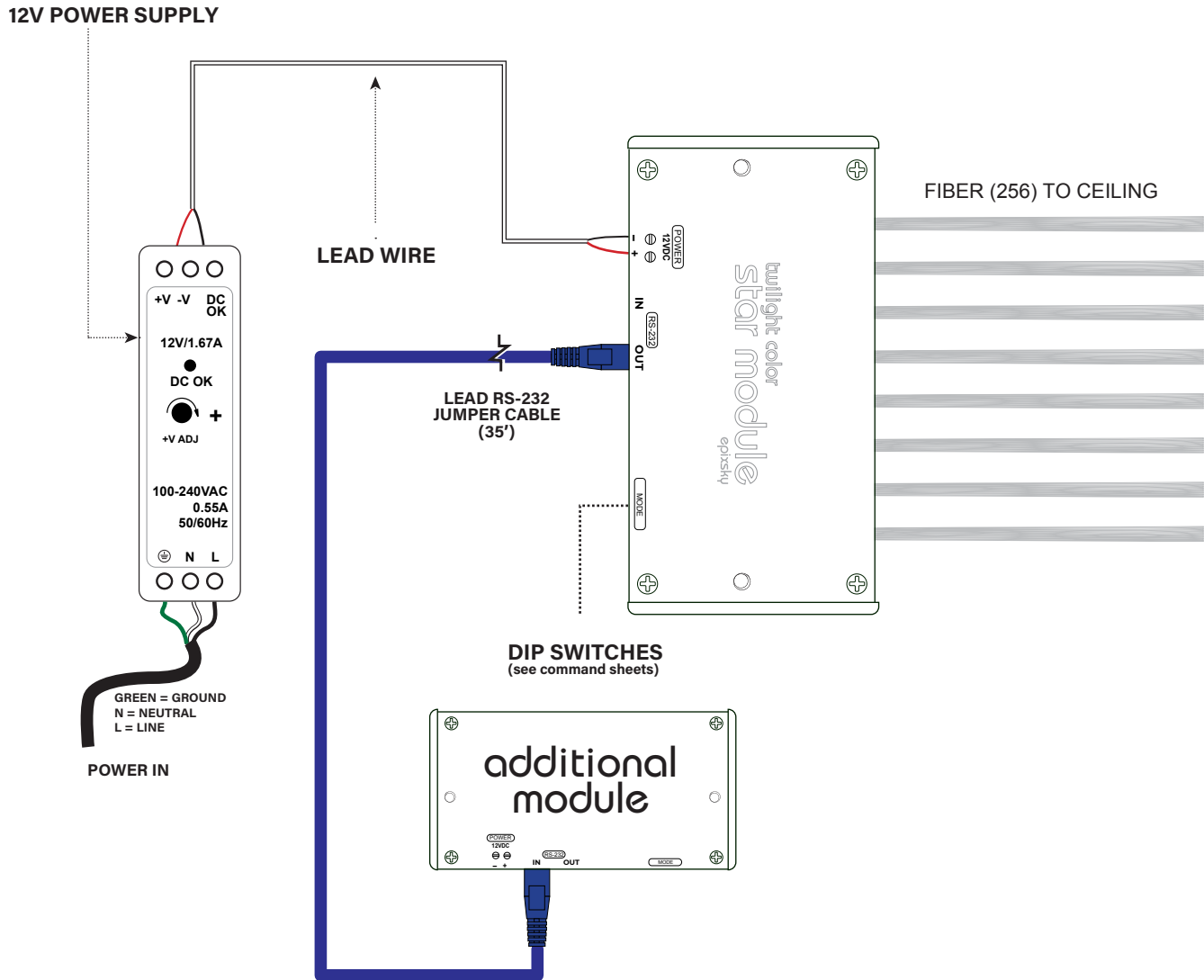
A Division of Impact Lighting Inc.



2814 Silver Star Rd., Orlando, Florida 32808 • Ph. 1-800-507-5714 • Email: sales@epixsky.com

epixsky.com

WIRING DIAGRAM



STARS FIBER LENGTH CHART

2'x2' Panel / Area	1.6"
2'x4' Panel / Area	3'6"
4'x4' Panel / Area	5'6"
4'x8' Panel / Area	10'

POWER SUPPLY CHART

20W	5-6 modules
40W	12-13 modules
60W	19 modules
100W	32-33 modules
150W	105-106 modules

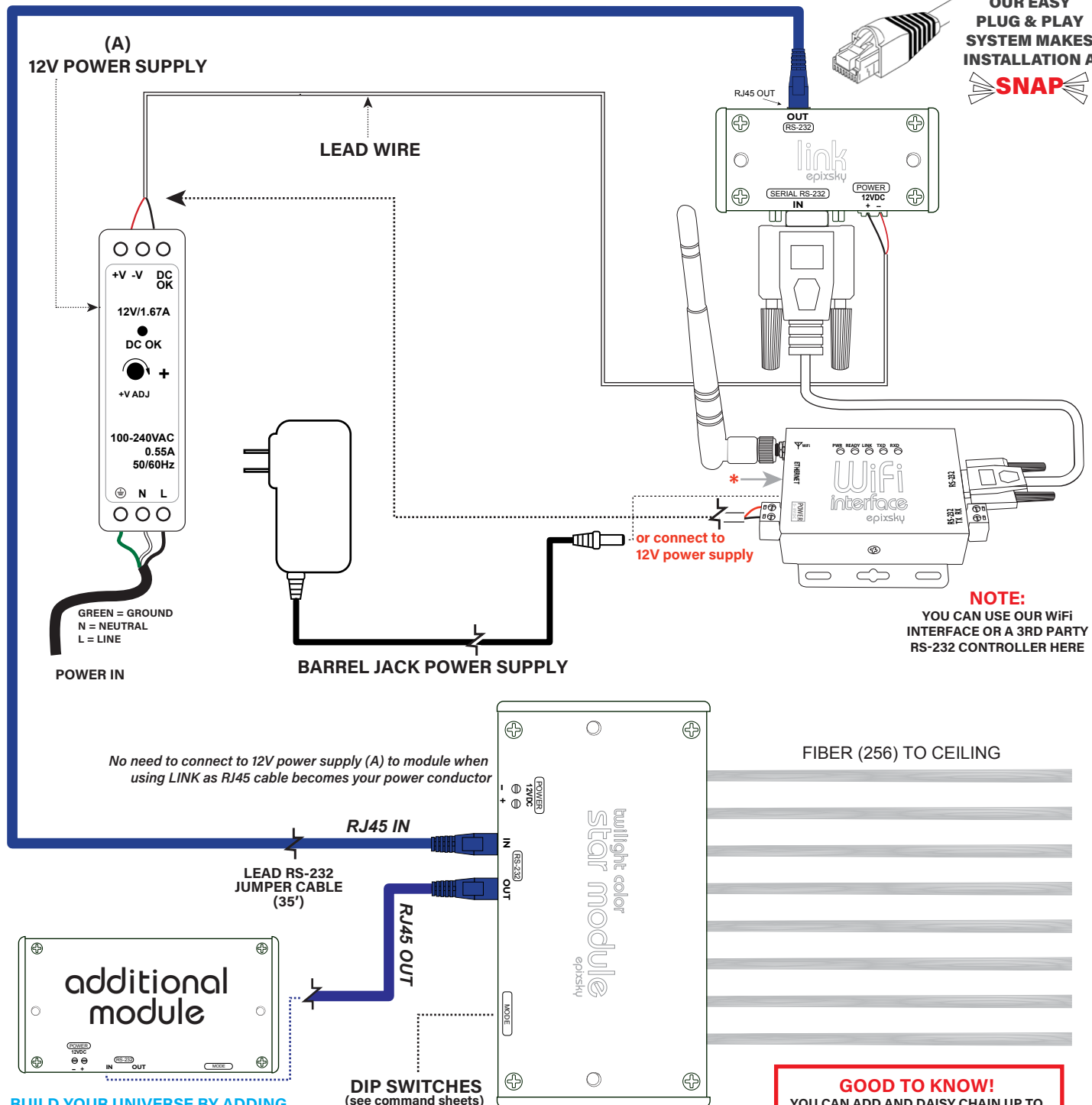
Every 13th module will need a power boost.
Use another lead wire and connect from your power supply to the power input on your module.

TWILIGHT COLOR
STAR MODULE

WIRING DIAGRAM

THIRD PARTY CONTROL

OUR EASY
PLUG & PLAY
SYSTEM MAKES
INSTALLATION A
SNAP



NOTE:
YOU CAN USE OUR WIFI
INTERFACE OR A 3RD PARTY
RS-232 CONTROLLER HERE

No need to connect to 12V power supply (A) to module when using LINK as RJ45 cable becomes your power conductor

BUILD YOUR UNIVERSE BY ADDING ADDITIONAL ADDRESSABLE MODULES FOR THE ULTIMATE IMPACT AND CONTROL!

HELPFUL HINT:
IF ADDING MORE THAN ONE EFFECT TO YOUR CEILING SUCH AS FIREWORKS, SHOOTING STARS AND CONSTELLATIONS, CONSIDER OUR ADDRESSABLE MODULES SO YOU CAN CONTROL EACH EFFECT INDIVIDUALLY.

NOTE:
SEE COMMAND SHEET FOR DIP SWITCH SETTINGS TO GET YOUR DESIRED EFFECT.

GOOD TO KNOW!
YOU CAN ADD AND DAISY CHAIN UP TO 10 STAR MODULES USING THE SAME 25W POWER SUPPLY. MORE THAN 10 AND YOU WILL NEED A LARGER POWER SUPPLY (SEE PAGE 2)

*** ADVANCED USE**
To marry EPIX system with your home automation system, connect our WiFi Interface to your home modem.