

TWILIGHT WHITE STAR MODULE

SPECIFICATION

PROJECT	DATE
TYPE	QTY



EpiXsky's **TWILIGHT WHITE STAR MODULE** is designed to be a star kit or a custom effect kit.

With this module you can create a simple and beautiful star field or a constellation, a shooting star or a meteor shower.

These are programmable by dip switch settings, RS-232 third party controllers such as Centro or Control 4.

We suggest downloading our free EPIX app from the app store.

KEY FEATURES:

- 12 VDC Power
- Fiber Port (supports 256 fibers)
- 6 Programs*
- RS-232 Serial Controllable
- Stand Alone Mode – Dip Switch Program
- Optional EpiX WiFi required w/ 3rd Party Control
- Remote Momentary Switch Ready (*Sold Separately*)

* Refer to module control reference sheet

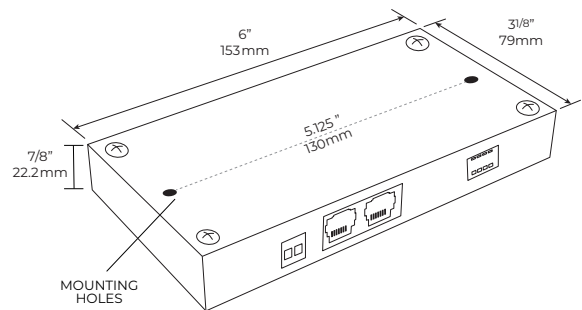
If you plan to have more than one effect, we suggest our addressable modules so you can control each effect separately.

BENEFITS:

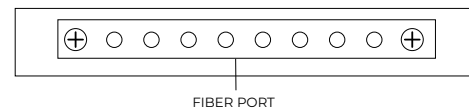
- Digital Electronics
- Compact Design
- Quiet Operation (no fan)
- No Moving Parts!
- Long Life LED's
- Low Wattage



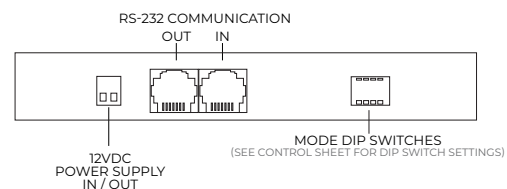
TECHNICAL INFO:



FRONT



BACK



V/0324 Copyright © 2024, Impact Lighting Inc. All Rights Reserved

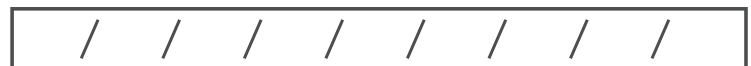
ORDERING

MODEL	RS-232 CABLE LENGTH	POWER	FIBER HEAD
TWSM	-	-	-
White Stars, Shooting Star, Constellation, or Meteor Shower Module with built in programs	10 - 10ft 35 - 35ft	N - none 20 - 20W 40 - 40W 60 - 60W 100 - 100W 150 - 150W 320 - 320W	1.6 - 1' 6" 3.6 - 3' 6" 5.6 - 5' 6" 10 - 10'

See Length Guide for application requirement (page 2)

See Power requirements (page 2)

ADD-ONS



- WiFi** - WiFi Interface (*required for 3rd party control*)(link required w/ WiFi)
- LINK** - Communicator for Wifi Interface (*required for 3rd party control*)
- ADSR** - Addressor (*for multi-room control*)
- RGB Mini** - RGB Mini (*for rgb ambient cove lighting*)
- ADVP** - Advanced-pro (*for rgbw cove lighting and advanced control*)
- DISTBD**- Distribution Board (*streamlines RS-232 communication*)
- RMS** - Remote Momentary Switch (*for simple on/off*)
- DB** - Drill Bits (*2 pack*)
- FG** - Fiber Glue (*adheres fibers to surface*)



A Division of Impact Lighting Inc.



2814 Silver Star Rd., Orlando, Florida 32808 • Ph. 1-800-507-5714 • Email: sales@epixsky.com

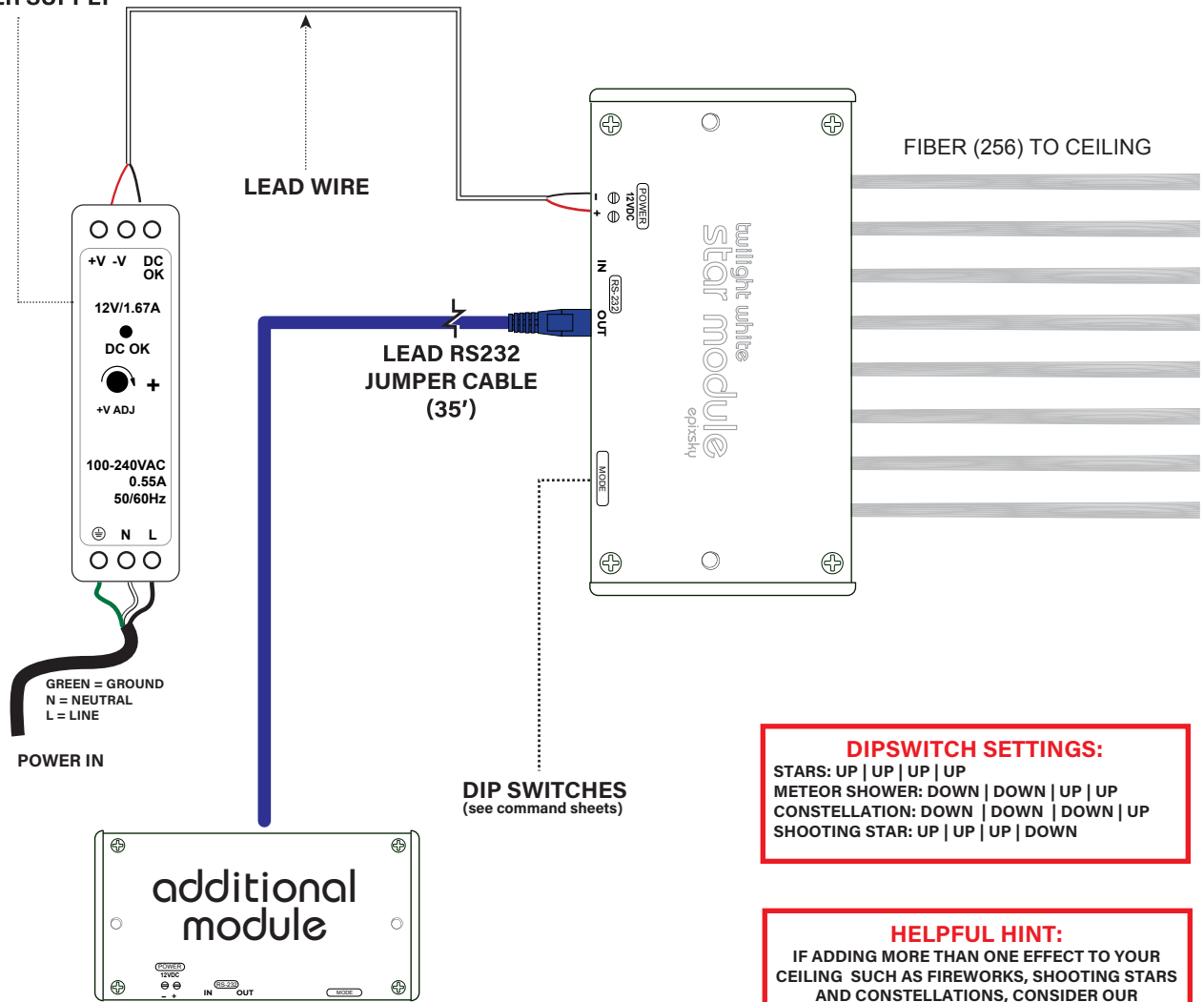
epixsky.com

TWILIGHT WHITE
STAR MODULE

STAND ALONE USE

WIRING DIAGRAM

12V POWER SUPPLY



GREEN = GROUND
N = NEUTRAL
L = LINE

POWER IN

LEAD WIRE

LEAD RS232
JUMPER CABLE
(35')

FIBER (256) TO CEILING

DIP SWITCHES
(see command sheets)

**BUILD YOUR UNIVERSE BY ADDING
ADDITIONAL ADDRESSABLE MODULES
FOR THE ULTIMATE IMPACT AND CONTROL!**

DIPSWITCH SETTINGS:
STARS: UP | UP | UP | UP
METEOR SHOWER: DOWN | DOWN | UP | UP
CONSTELLATION: DOWN | DOWN | DOWN | UP
SHOOTING STAR: UP | UP | UP | DOWN

HELPFUL HINT:
IF ADDING MORE THAN ONE EFFECT TO YOUR
CEILING SUCH AS FIREWORKS, SHOOTING STARS
AND CONSTELLATIONS, CONSIDER OUR
ADDRESSABLE MODULES SO YOU CAN CONTROL
EACH EFFECT INDIVIDUALLY.

STARS FIBER LENGTH CHART	
2'x2' Panel / Area	1.6"
2'x4' Panel / Area	3'6"
4'x4' Panel / Area	5'6"
4'x8' Panel / Area	10'

POWER SUPPLY CHART	
20W	5-6 modules
40W	12-13 modules
60W	19 modules
100W	32-33 modules
150W	105-106 modules

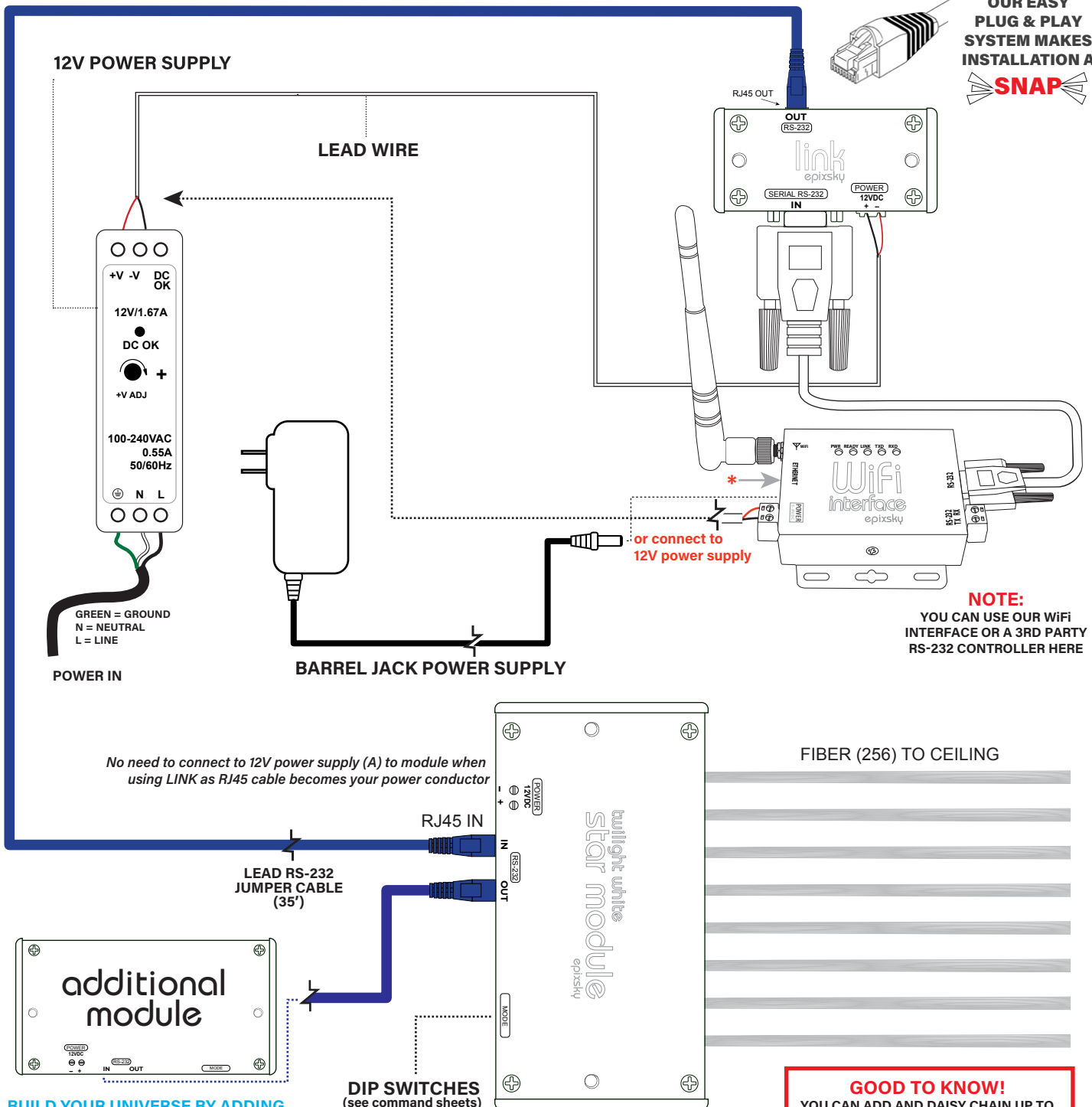
Every 13th module will need a power boost.
Use another lead wire and connect from your
power supply to the power input on your module.

TWILIGHT WHITE
STAR MODULE

WIRING DIAGRAM

THIRD PARTY CONTROL

OUR EASY
PLUG & PLAY
SYSTEM MAKES
INSTALLATION A
SNAP



NOTE:
YOU CAN USE OUR WIFI
INTERFACE OR A 3RD PARTY
RS-232 CONTROLLER HERE

No need to connect to 12V power supply (A) to module when using LINK as RJ45 cable becomes your power conductor

BUILD YOUR UNIVERSE BY ADDING ADDITIONAL ADDRESSABLE MODULES FOR THE ULTIMATE IMPACT AND CONTROL!

HELPFUL HINT:
IF ADDING MORE THAN ONE EFFECT TO YOUR CEILING SUCH AS FIREWORKS, SHOOTING STARS AND CONSTELLATIONS, CONSIDER OUR ADDRESSABLE MODULES SO YOU CAN CONTROL EACH EFFECT INDIVIDUALLY.

NOTE:
SEE COMMAND SHEET FOR DIP SWITCH SETTINGS TO GET YOUR DESIRED EFFECT.

GOOD TO KNOW!
YOU CAN ADD AND DAISY CHAIN UP TO 10 STAR MODULES USING THE SAME 25W POWER SUPPLY. MORE THAN 10 AND YOU WILL NEED A LARGER POWER SUPPLY (SEE PAGE 2)

*** ADVANCED USE**
To marry EPIX system with your home automation system, connect our WiFi Interface to your home modem.